

## IMPORTANT:

THE USE OF TWO OR MORE PEOPLE IS REQUIRED FOR PROPER INSTALLATION OF YOUR SAFE

- ALWAYS USE ONE PERSON TO STABILIZE THE TOP OF SAFE DURING ENTIRE SAFE INSTALLATION PROCESS

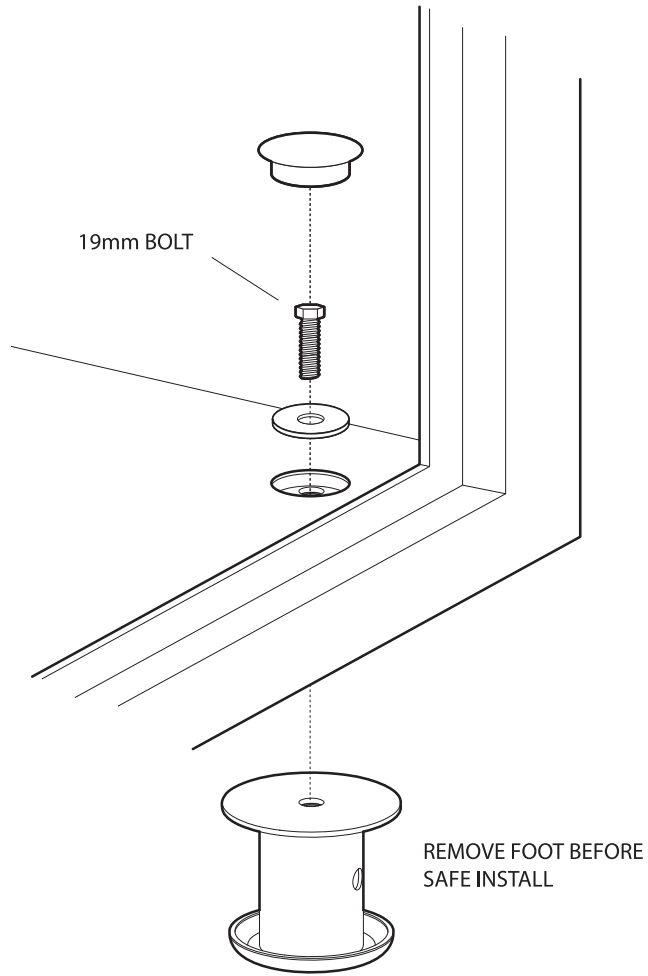
### WARNING



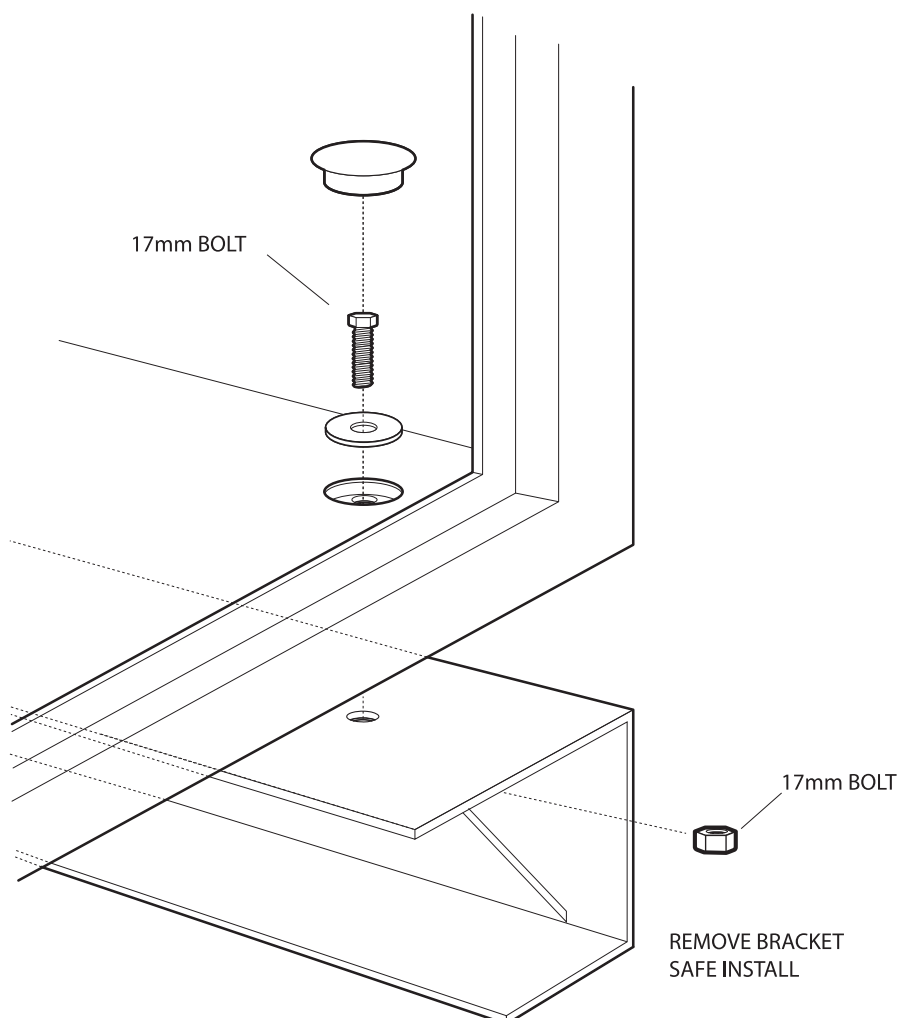
#### Tip Over Hazard

A child or adult can tip the safe and be killed or seriously injured. Failure to secure the safe as shown in these instructions can result in death or serious injury to children and adults. Children should not play with or around the safe at any time.

### SHIPPING FOOT REMOVAL



### C CHANNEL SHIPPING BRACKET REMOVAL



### BOLT DOWN KIT INSTALL

WARNING: YOUR VAULT IS DESIGNED TO SUPPORT ITSELF WHEN THE DOOR IS OPENED. HOWEVER, CAUTION SHOULD BE USED TO AVOID TIPPING AND SAFETY HAZARDS. THE VAULT MUST BE SECURED TO THE FLOOR OR WALL. FAILURE TO DO SO WILL COMPROMISE THE SAFETY AND SECURITY OF THE VAULT.

#### TOOLS NEEDED TO BOLT VAULT TO A CONCRETE SURFACE

- DRILL / HAMMER DRILL
- DRILL BIT – 1/2" ( for installing into concrete with provided hardware)
- WRENCH / 11/16" (17MM) SOCKET
- HAMMER

